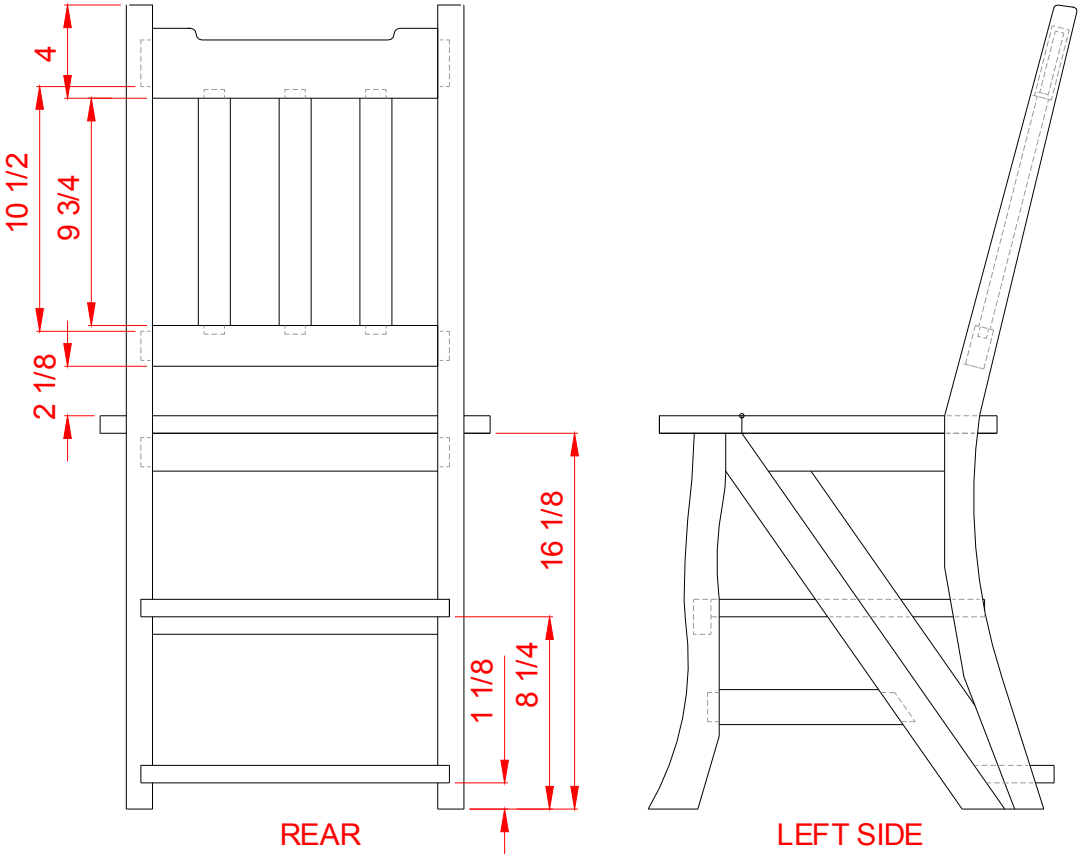
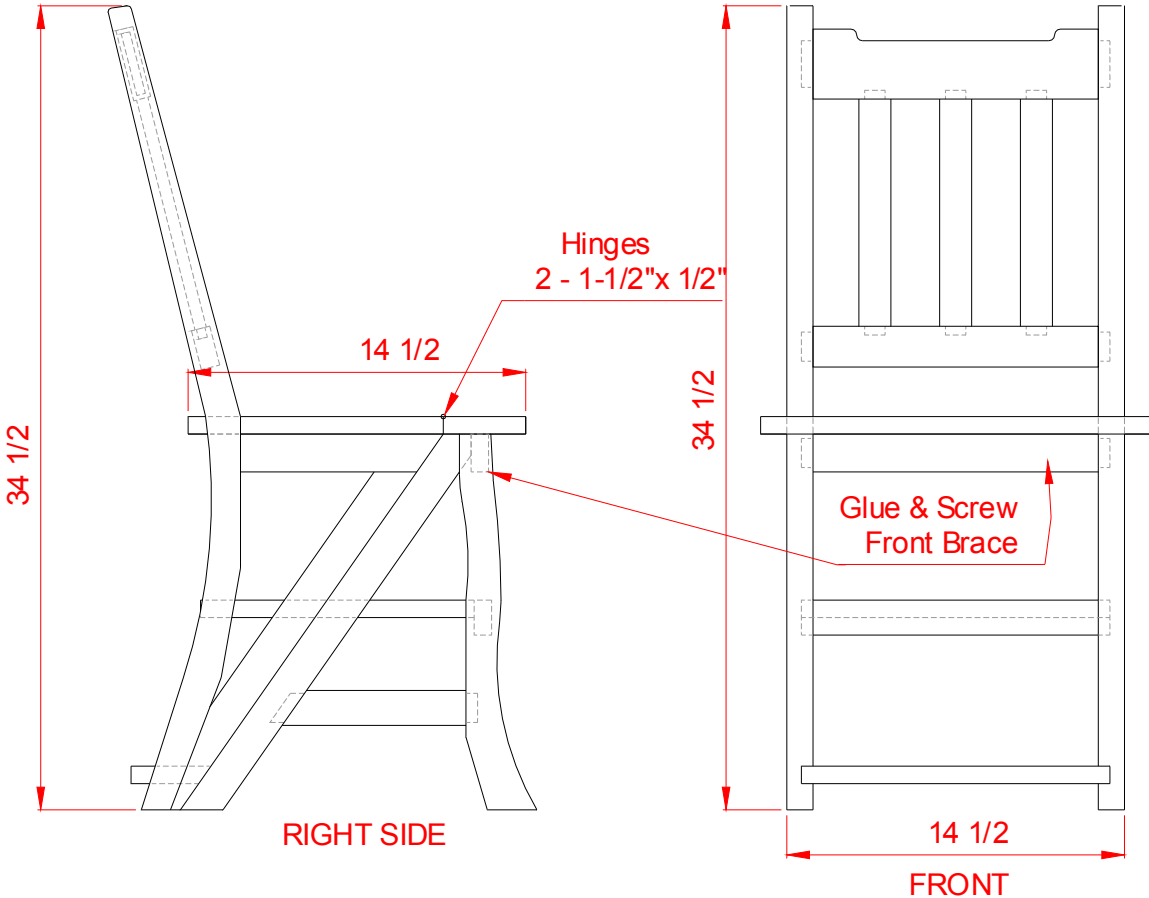
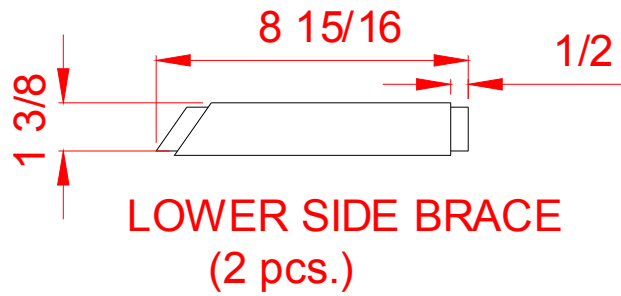
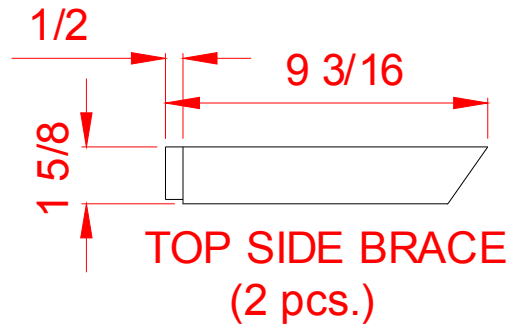
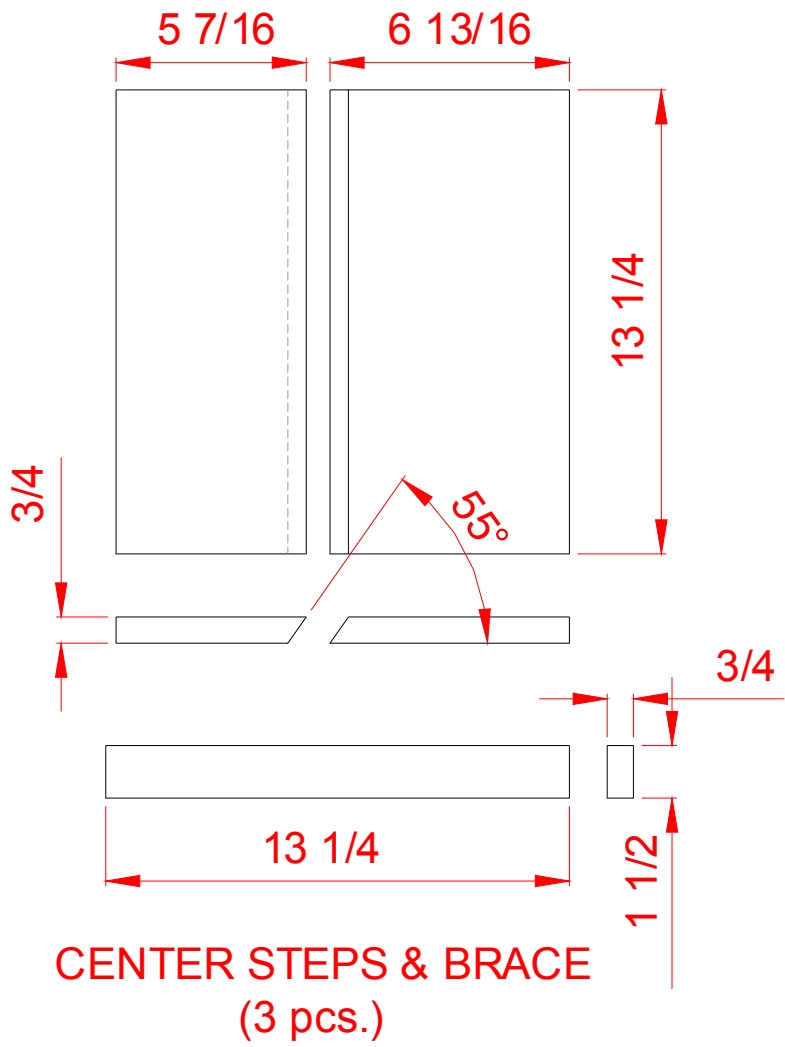
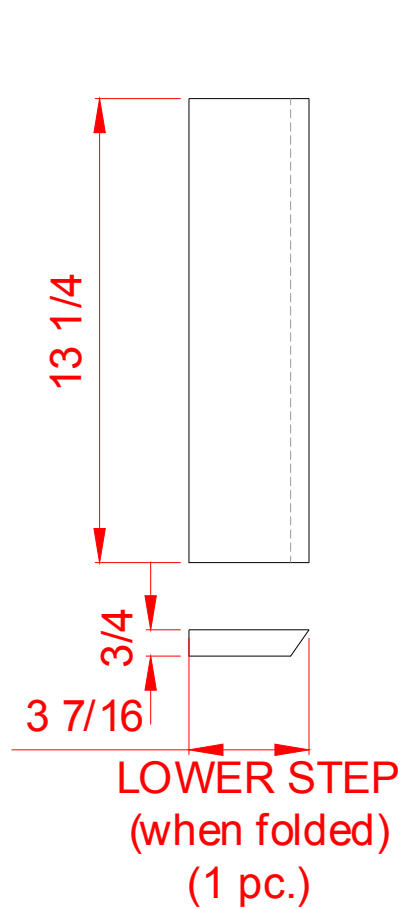
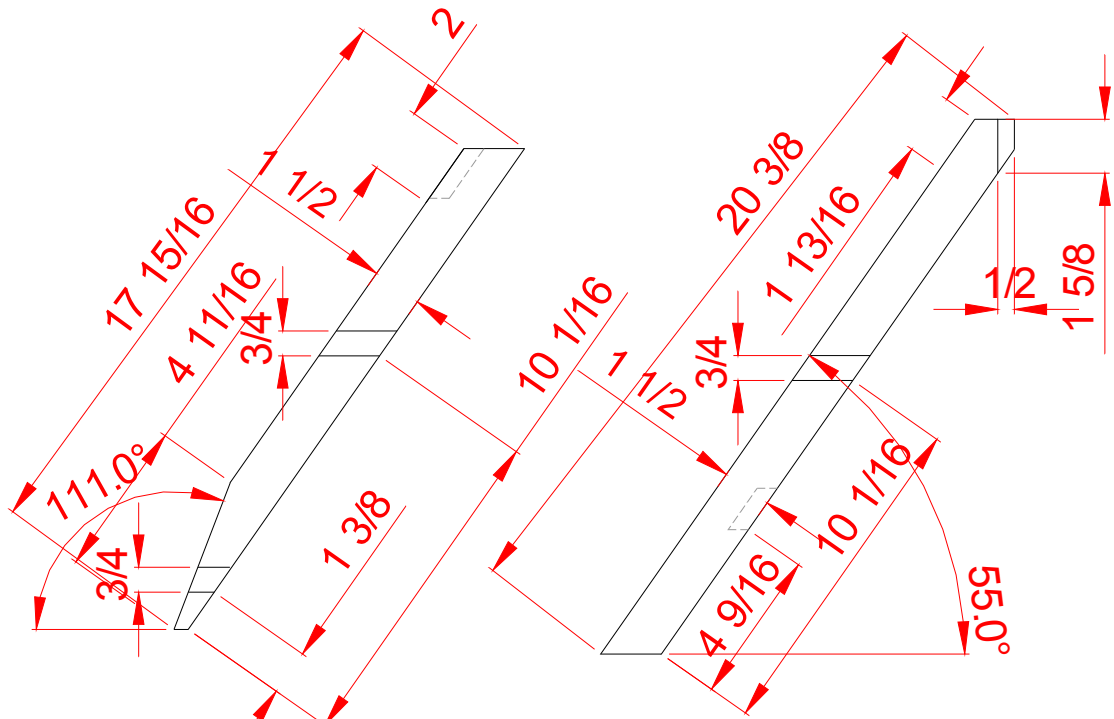


Folding Step Chair

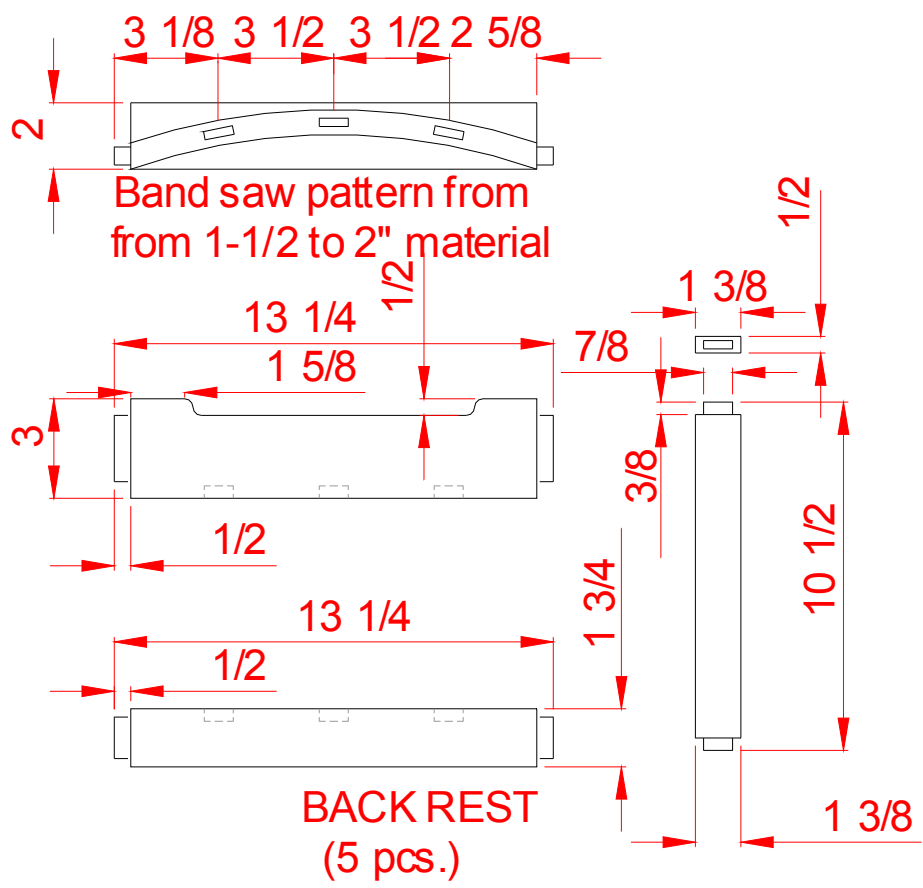






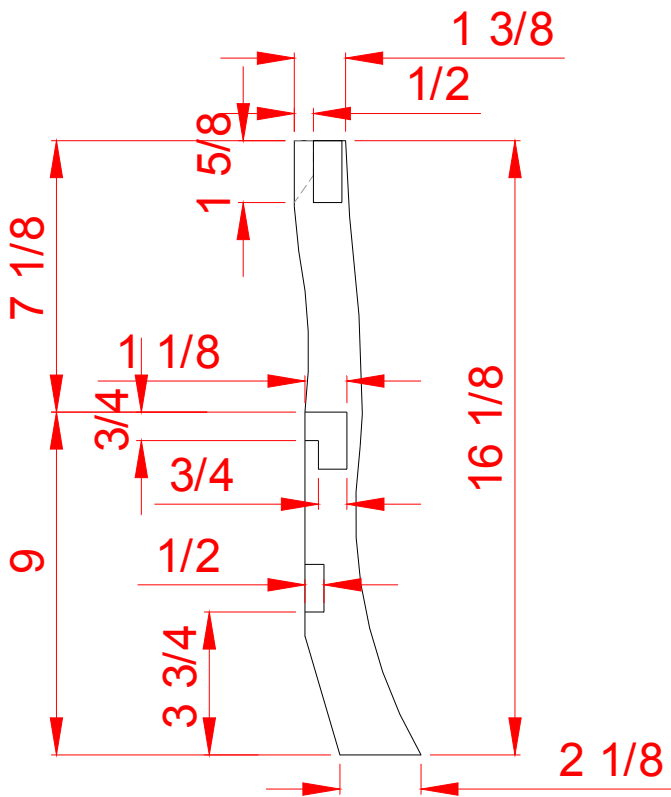
REAR STRUTS
 (2 pcs.)
 mirror tenons
 and dados

FRONT STRUTS
 (2 pcs.)
 mirror tenons
 and dados

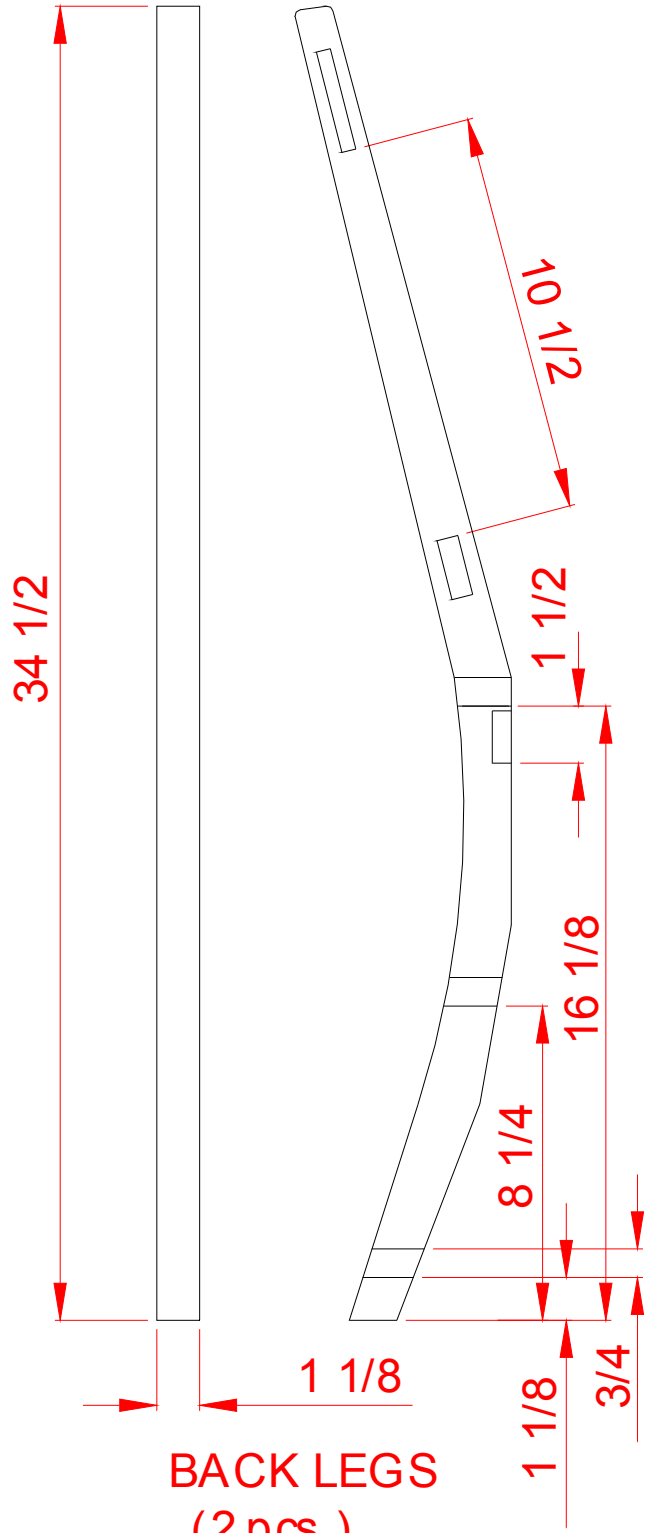


Band saw pattern from
 from 1-1/2 to 2" material

BACK REST
 (5 pcs.)

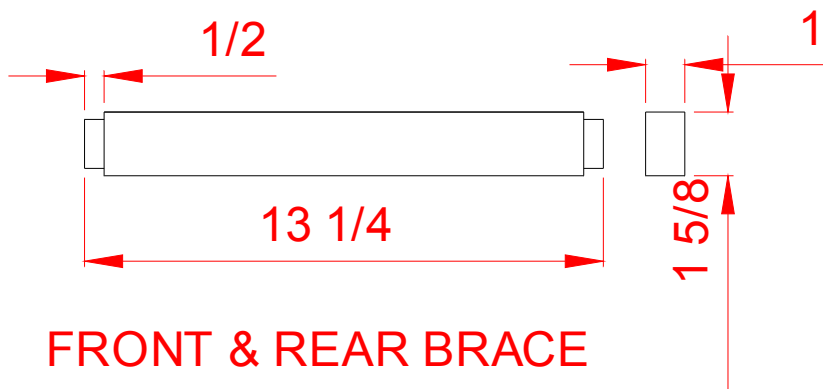
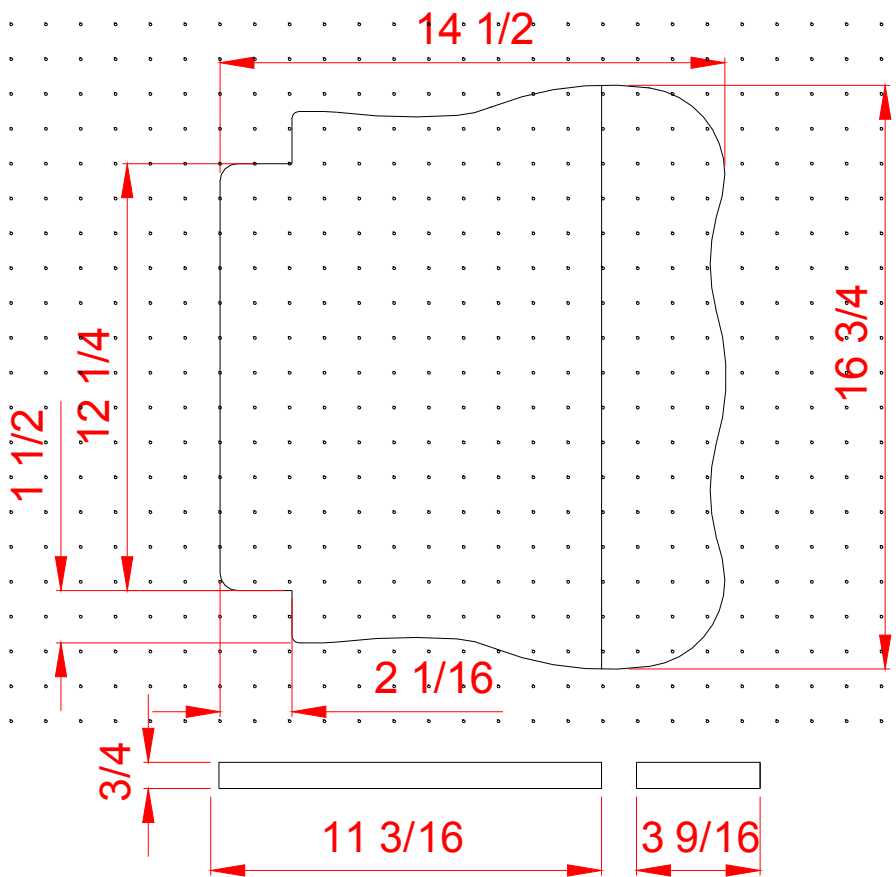
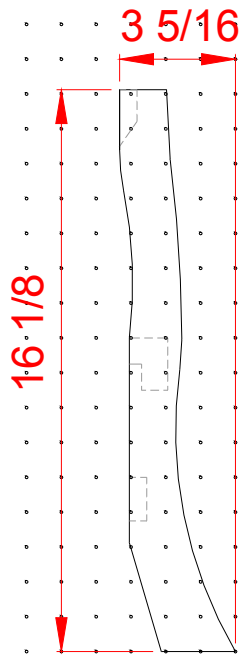
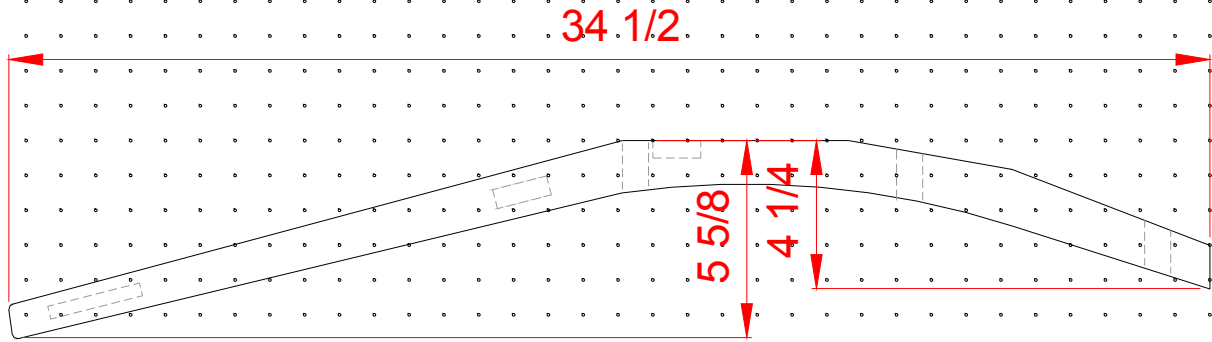


FRONT LEGS
(2 pcs.)
mirror tenons
and dados



BACK LEGS
(2 pcs.)
mirror tenons
and dados

1" GRID



FRONT & REAR BRACE
(2 pcs.)